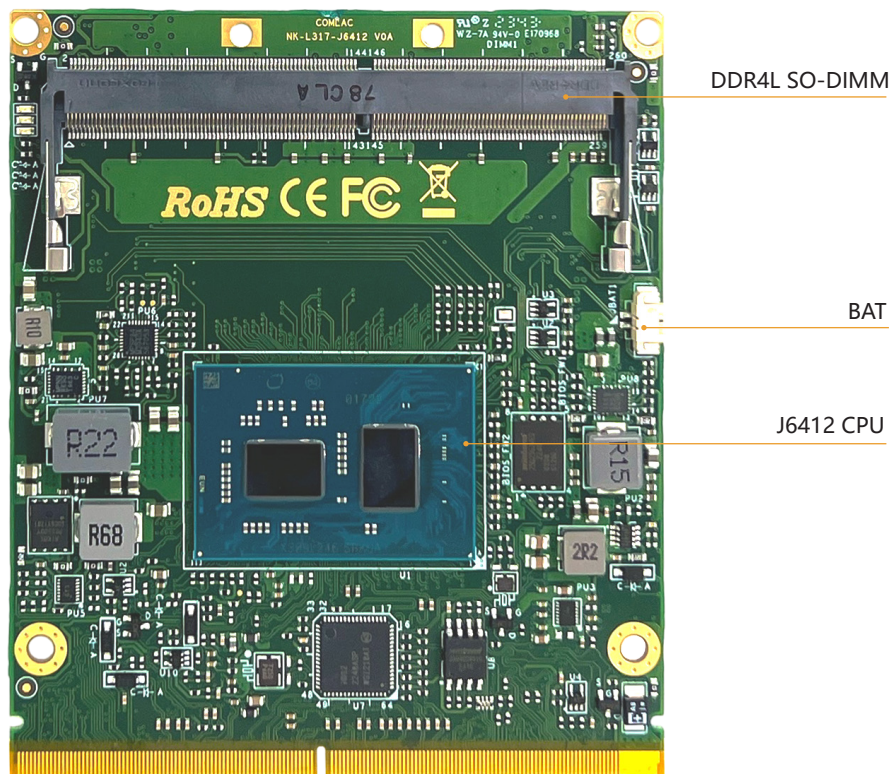


NK-L317-J6412

95*82 Elkhart Lake J6412 Comlac Board

特点 Feature

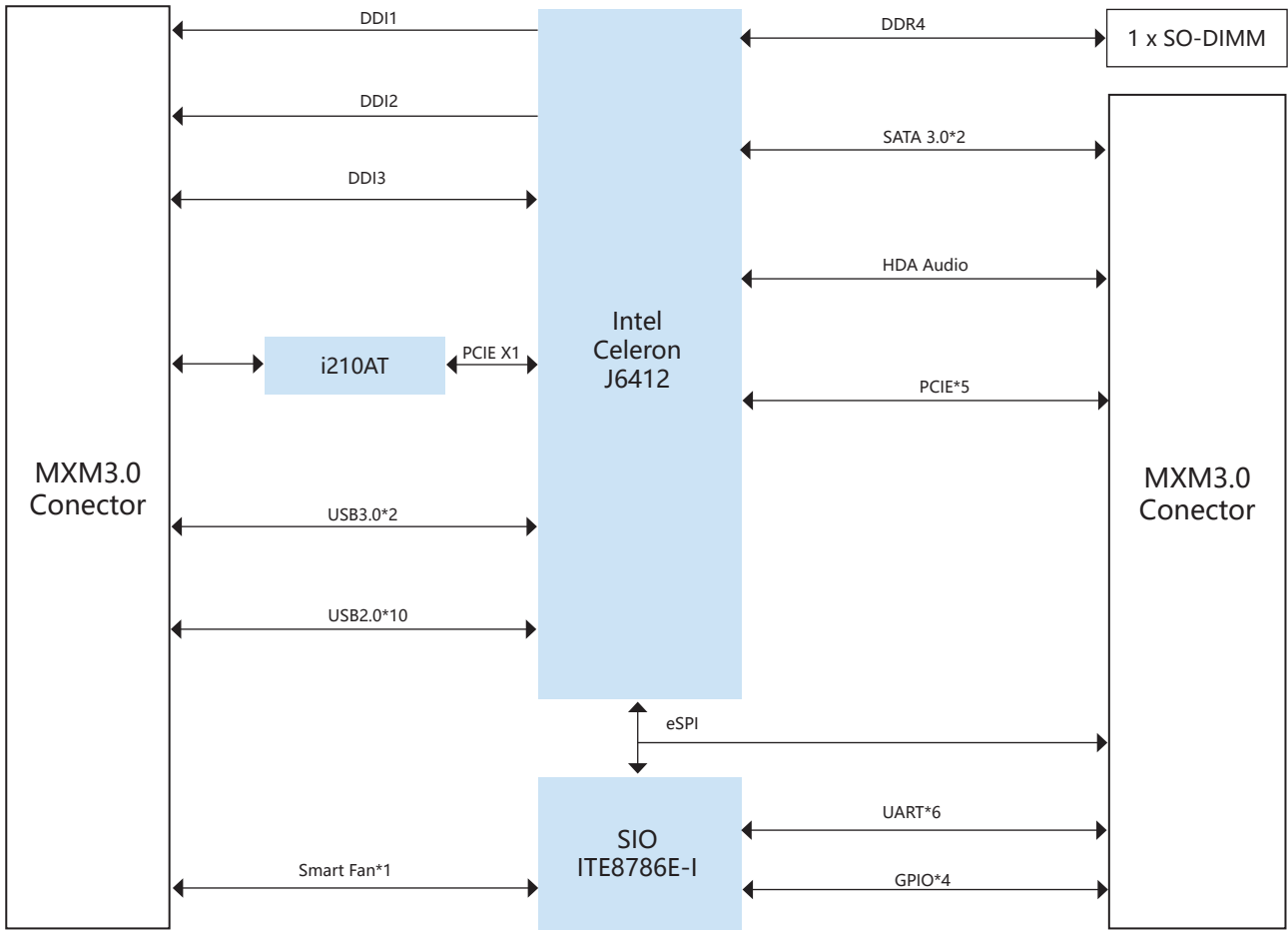
- Intel® Celeron® J6412 processor, Dual-core, base frequency 2.0GHz up to 2.6GHz , TDP 10W
- Support 1 x DDR4-3200MHz SO-DIMM slot, up to 32GB
- Support 2 x DDI, 1 x eDP, Tri-Display
- Type3 Interface Signals with MXM3.0 Gold Finger



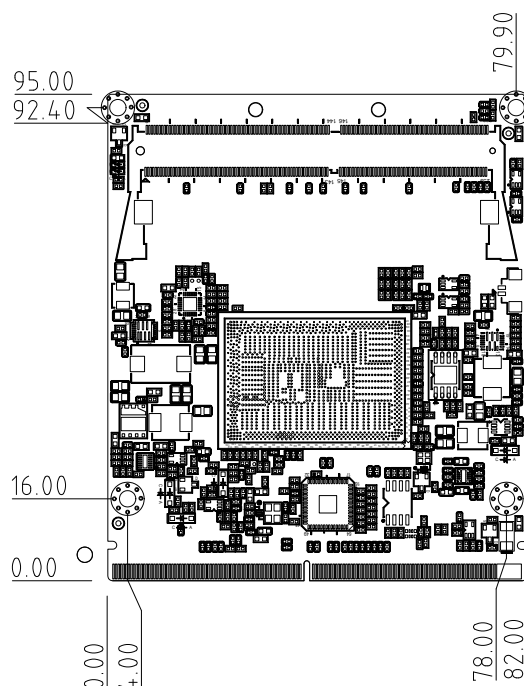
规格 Specification

处理器 Processor System	CPU	Intel® Celeron® J6412 processor, Dual-core, base frequency 2.0GHz up to 2.6GHz , TDP 10W
	芯片组 Chipset	Intel® SoC integrated
	BIOS	AMI 128Mb UEFI BIOS
内存 Memory	技术 Technology	Single Channel(Non-ECC) DDR4-3200MHz, up to 32GB
	插槽 Slot	1 x DDR4 260-pin SO-DIMM slot
图形 Graphic	控制器 Controller	Intel HD graphics integrated
扩展信号 Expansion Signals	显示 Display	2 x DDI,1 x eDP
	串口 Serial Port	2 x Uart(9 line),4 x Uart(3 line)
	USB	2 x USB3.0 ,8x USB2.0
	SATA	2 x SATA 3.0
	PCIe	5 port 5lanes (1 X2、 3 X1)
	GPIO	1 x 4bit GPIO
	Audio	1 x Intel HDA Audio codec
	Smart Fan	1 x Smart Fan
	网络 Etherne	Intel i210AT Controller
	其他 others	1 x eSPI,1 x I ² C,1 x SMBus,1 x Buzzer, 1 x KB/MS
看门狗定时器 Watchdog Timer	输出 & 间隔 Output&Interval	System reset, programmable from 1~255 seconds
电源 Power	Power input	5V
操作系统 OS Support	MS Windows	Windows 10/11
	Linux	Linux
机械参数 Mechanism	尺寸 Dimensions	(L)95mm x (W)82mm
	净重 Gross Weight	0.04kg
环境 Environment	温度 Temperature	Operating: 0°C ~60°C with SSD
		Storage: -40°C ~85°C
	湿度 Humidity	5~95% (Non-condensing)
振动 Vibration	5~500Hz, 3Grms operating	

框架图 Block Diagram



机构图 Mechanical Drawing



单位 (Unit): mm

订购信息 Order Information

料号 Part No.	型号 Model	描述 Description
F04.L31702.00.S12	NK-L317-J6412	Type3, 95*82mm Elkhart Lake, J6412, 1x DDR4 SO-DIMM

包装清单 Packing List

料号 Part No.	数量 Qty	描述 Description
	1	NK-L317 Comlac User manual